

Assembly Instructions

FS-CAV

The package contains 6 sheets, three of them are identical to the other three.

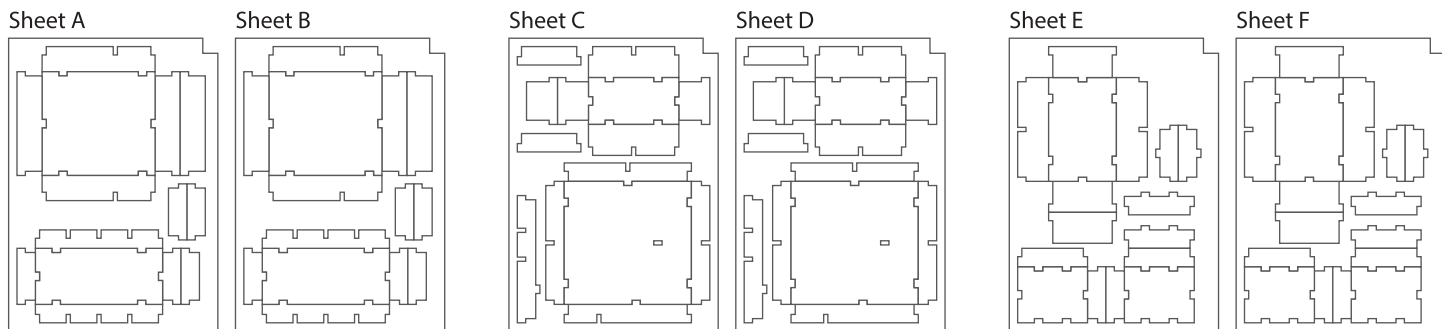
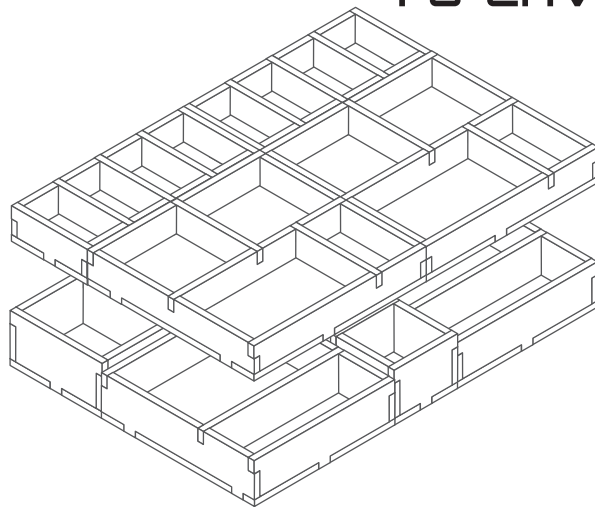
Each tray is doubled.

After assembly the trays are put in two layers in the original game box.

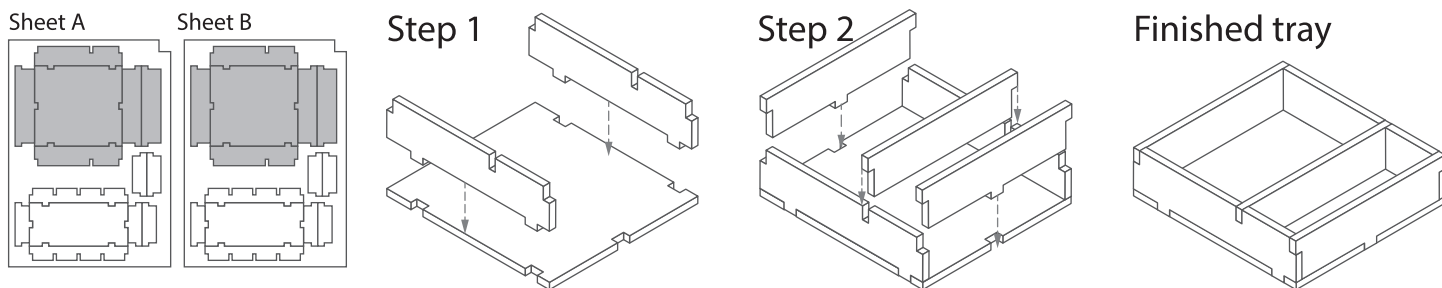
Ordinary PVA glue is required when assembling each tray, for extra strength.

Please make sure you dry-assemble each tray correctly before gluing it together.

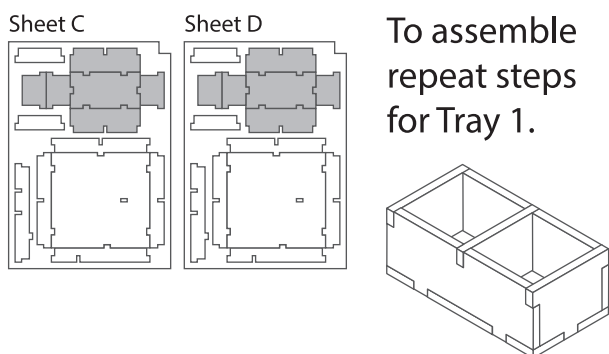
Please check www.foldedspace.net for general assembly tips.



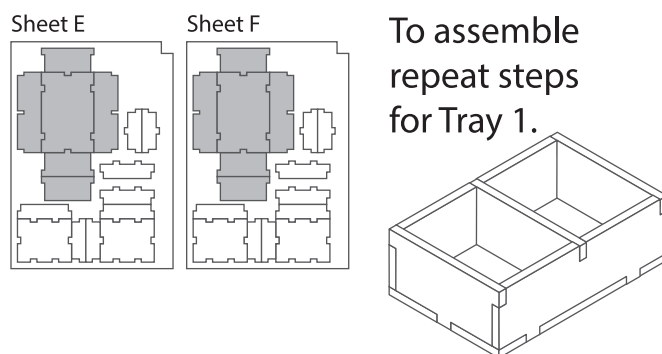
Tray 1a & 1b (the trays are identical)



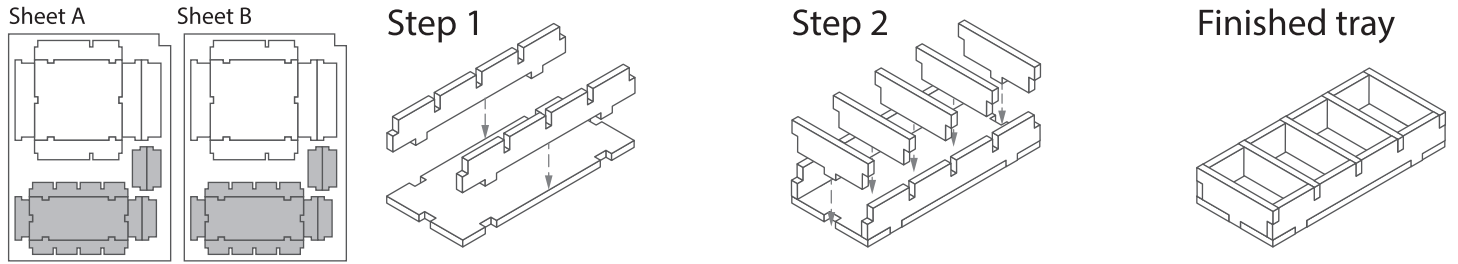
Tray 2a & 2b (the trays are identical)



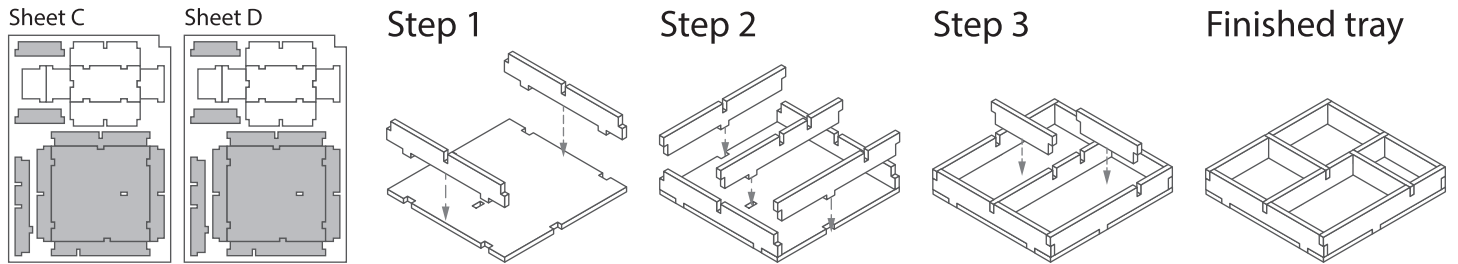
Tray 3a & 3b (the trays are identical)



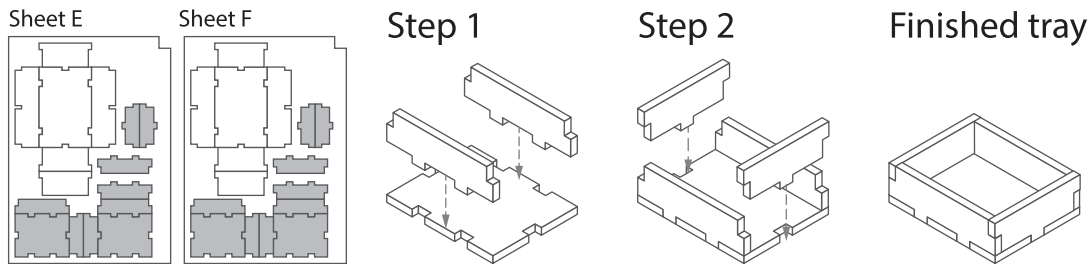
Tray 4a & 4b (the trays are identical)



Tray 5a & 5b (the trays are identical)



With our compliments: Four bonus trays to be used for another of your favourite games.



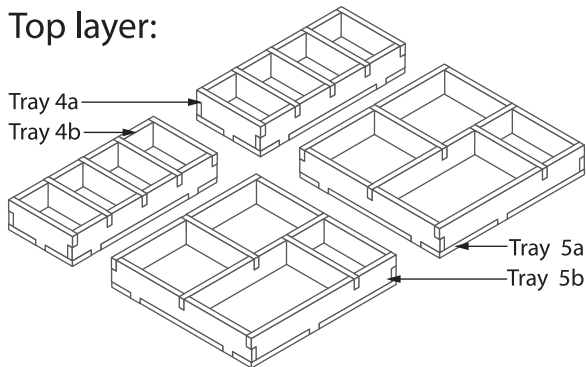
FS-CAV

Please check www.foldedspace.net for photos of this insert in use.

Tray legend:

- Tray 1a - single and twin place tiles
- Tray 1b - single and twin place tiles
- Tray 2a - weapon markers
- Tray 2b - food, other tokens
- Tray 3a - grain, vegetables
- Tray 3b - wood, cattle
- Tray 4a - player pieces
- Tray 4b - player pieces, harvest tokens
- Tray 5a - coins, donkeys, sheep, ruby gems
- Tray 5b - dogs, boar, stone, ore gems

Top layer:



Bottom layer:

